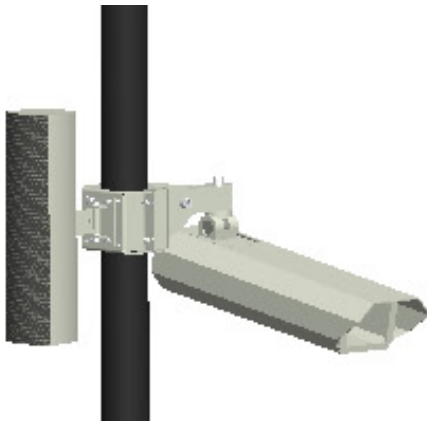


Standard 3" Post Collar Assembly  
Part No. 231105-200  
Standard 89mm Post Collar Assembly  
Part No. 231105-210

---

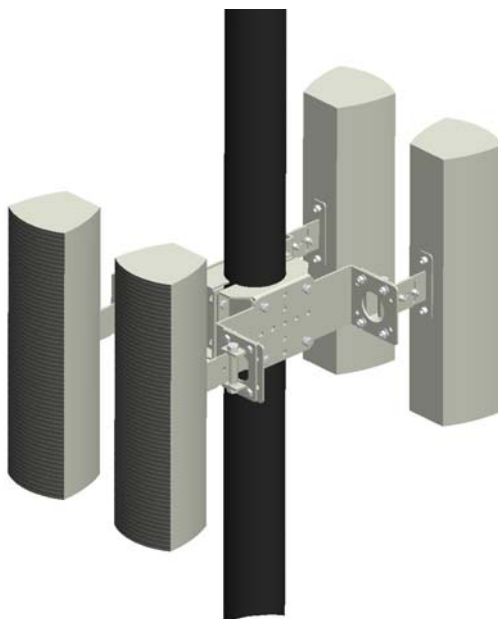


The standard 3" Post Collar is manufactured entirely from 3mm thick Zintec. We also have an 89 mm (3½") version as standard but other size bores can be manufactured on request.

Zintec is a commercially available mild steel sheet that has a zinc coating to offer some rust proofing properties. The finish will be "Spectrum 4" Powder coating that

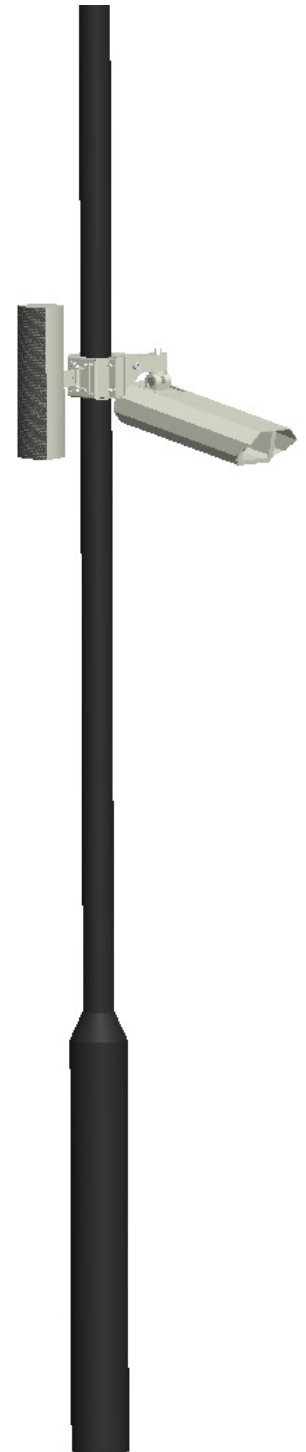
has "Low Smoke, Zero Halogen" properties as specified by London Underground Ltd.

The total weight of the bracket assembly is in the region of 1.4 Kg and requires four M8 fixings to clamp the collars to the post. All fixings will be high tensile steel as standard. The "Collars" have a small amount of welding on each corner to prevent the sheet from spreading when the assembly is under pressure.



The assembly has six M6 bushed fittings, four to fit the standard camera fixing positions and four to fit the standard speaker fixing positions. These fixings will also accept the standard Lunds Speaker brackets.

The bracket, in it's current configuration, is capable of holding two cameras and up to four speakers or a combination of the above.





# POST COLLAR ASSEMBLY SPECIFICATION AND DATA SHEET



Standard 3" Post Collar Assembly  
Part No. 231105-200  
Standard 89mm Post Collar Assembly  
Part No. 231105-210

