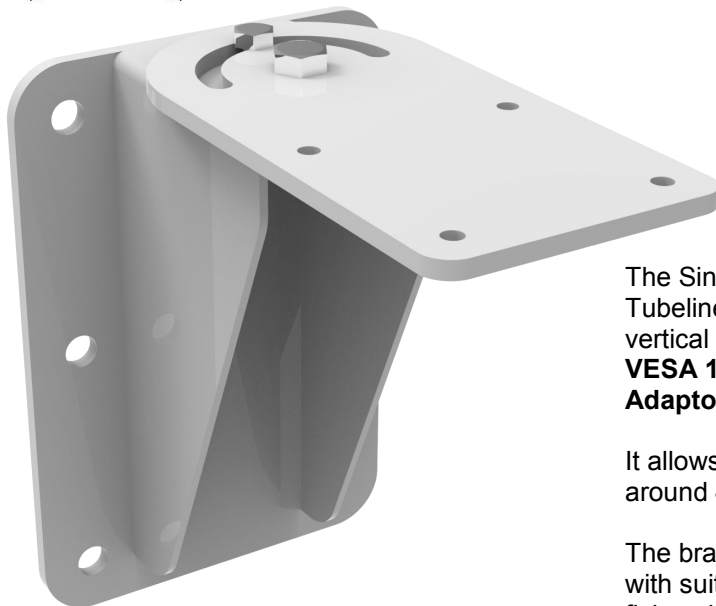
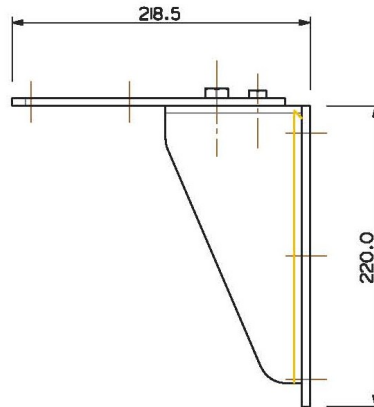
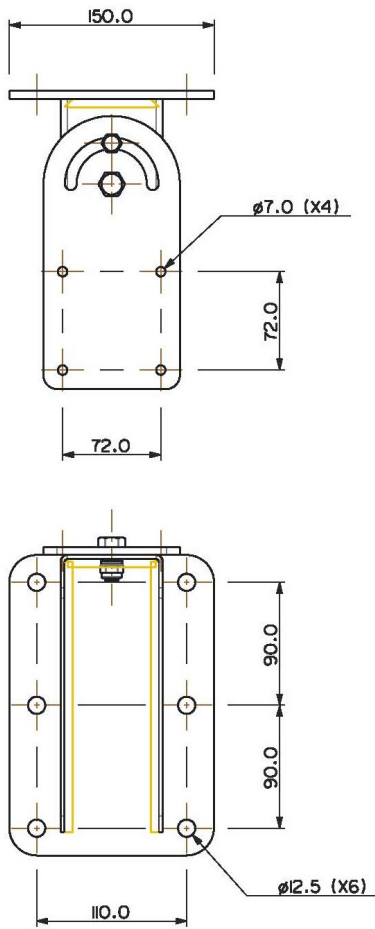


**DATA SHEET FOR  
LUNDS STANDARD SINGLE THID WALL MOUNTED BRACKET  
Part No. 131006-250**



The Single Ticket Hall Information Display Wall Bracket allows a Tubelines type THVID (Infotec) to be securely fixed to a wall or any vertical surface. This bracket must be used in conjunction with our **VESA 100/PAM Adaptor Bracket 281105-200** along with the **THID Adaptor Bracket 131106-260** as shown above

It allows a full 45 degrees of lateral movement and a viewing angle of around 45 degrees by using the existing fixing bracket.

The bracket assembly weighs approx. 3 Kilograms and is attached with suitable fixings. We would suggest bright zinc plated 8.8 grade fixings in all cases and suitable single coil or Shakeproof washers.

Recommended wall mounting is by M12 Kemfix Bolts or equivalent.

The base material is 6mm thick steel to BS EN 10029 : 1991/BS EN 10051 : 1992 and the welding is to BSEN287 & 288.

The finish is a zinc & colour plating operation and a DuPont ALESTA or equivalent Powder Paint to either RAL 9006 (White) or NCS 6502-R (Dark Grey) or nearest commercial equivalent. This complies with London Undergrounds No-Smoke, Zero Halogen fire test policy.



**LUND BROS. & Co. Ltd.**  
**BROOKSIDE AVENUE • RUSTINGTON**  
**WEST SUSSEX • BN16 3LF**  
**TEL. 01903 784242 • FAX. 01903 787126**  
**EMAIL sales@lunds.co.uk**  
**WEB. www.lunds.co.uk**