

**DATA SHEET FOR
LUNDS STANDARD FM52 2000 LONG DROP ARM
Part No. 070709-380**



These 2000 Long drop arms are designed to interface with the Infotec FM range of Tetrus based LED Veid Displays. The drop arms will fit the FM52W.

The arms are free to move with the unique air movements of the underground platforms where the suction effect of the train entering and leaving the tunnels cause strong wind loadings on the drop arms.

This will introduce a natural tendency for the bracket to twist along its lateral axis. To minimise the effect of this our designers have added an additional pivot down the central axis of the drop arms. This will make the bracket cope more easily with these stresses.

Each drop arm weighs 18.5 Kg and the requirement will be for two per display.

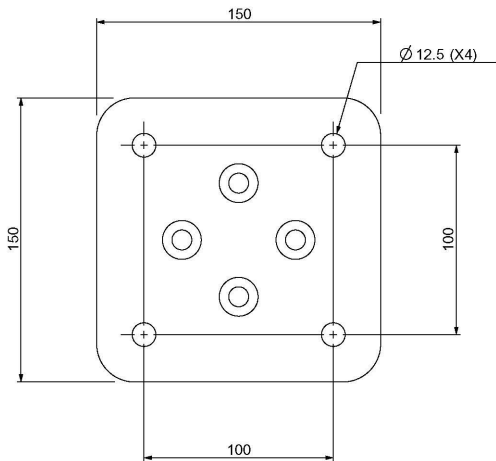
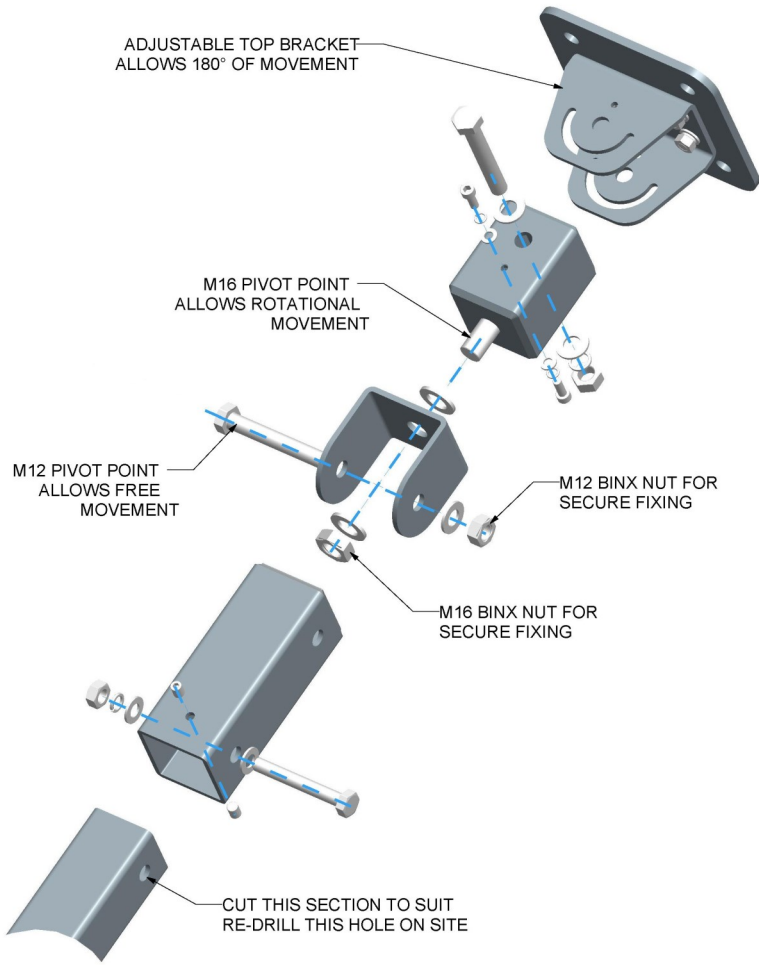
The arms fix directly to the displays so no additional brackets are required. There will be a requirement for 8 off M10 nuts and washers for each assembly—these are not supplied.

The fixing positions on the Infotec displays are fixed so there is no scope for any lateral movement in this configuration.



LUND BROS. & Co. Ltd.
BROOKSIDE AVENUE • RUSTINGTON
WEST SUSSEX • BN16 3LF
TEL. 01903 784242 • FAX. 01903 787126
EMAIL sales@lunds.co.uk
WEB. www.lunds.co.uk

DATA SHEET FOR LUNDS STANDARD FM52 2000 LONG DROP ARM Part No. 070709-380



Drillings for Top Plate fixing.
Nominal Hole size is
12.5mm for 12mm fixings.

Drillings for Base Plate
fixing. Nominal Slot size is
25 X 11 mm for 10mm
fixings.

The top fixing plate is 6 mm thick mild steel plate, the pivot saddle bracket is 4 mm thick mild steel plate. The top joint section is 60 X 60 X 4 SHS and the free movement pivot is also 4mm thick mild steel plate. The drop section is 50 X 50 X 4 SHS and fits inside the 60 X 60 X 4 SHS top joint section. The bottom plate is 6 mm thick mild steel plate.

All fixings used are 8.8 grade high tensile steel and finished bright zinc plate. On the pivot points we use Binx Nuts (Lock nuts) to eliminate loosening due to movement.

All conduit tappings are M25 and capped with M25 nylon blanking plugs.

The Standard Top Fixing Plate with its unique pivoting head is ideal if direct fixing to steelwork with Lindapters.

The assembly has laser cut transitions and is allowed to pivot with air movement and will be stable enough not to require any further bracing.

The main structure is manufactured from 50mm X 50mm X 4mm Hot Finished Structural Hollow Section to BS EN 10210 or equivalent. All Plates and Brackets will be Mild Steel Plate or Bar to EN3 or equivalent.

Cable runs are through the top and bottom conduit points on the uprights. All fixings used will be Grade 8 High Tensile BZP.

The finish is zinc & colour passivated plating with a DuPont ALESTA or equivalent Powder Paint to either RAL 9006 (White) or NCS 6502-R (Dark Grey) or nearest commercial equivalent. Other colours are available on request. This complies with London Undergrounds No-Smoke, Zero Halogen fire test policy.

