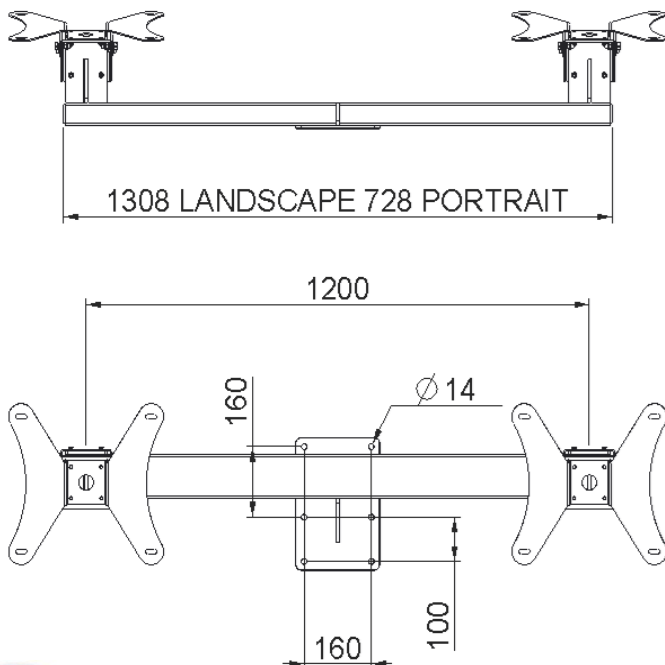
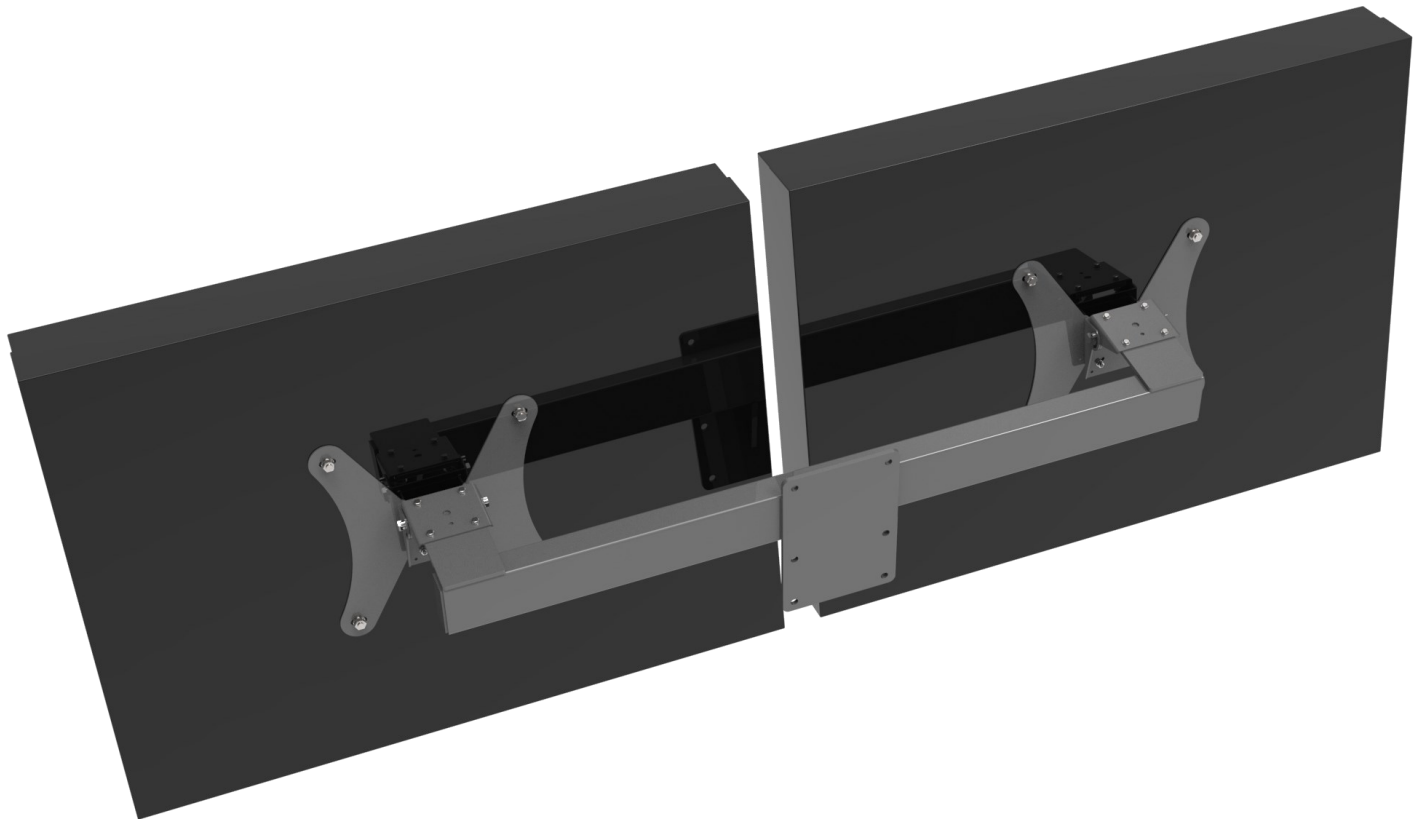


**DATA SHEET FOR
LUNDS STANDARD DOUBLE THID WALL MOUNTED BRACKET (LANDSCAPE)
Part No. 131006-400**

**LUNDS STANDARD DOUBLE THID WALL MOUNTED BRACKET (PORTRAIT)
Part No. 131006-410**



The Double Ticket Hall VID Wall Bracket allows two Infotec FM28L THVIDs or equivalent to be securely fixed to a wall or any vertical surface. It is especially suited to mounting 2 THVIDs side by side.

It allows for a viewing angle of around 45 degrees by using the existing fixing bracket.

The bracket assembly weighs approx. 16 Kilograms and is attached with suitable fixings. We would suggest bright zinc plated 8.8 grade fixings in all cases and suitable single coil or Shakeproof washers.

Recommended wall mounting is by M12 Kemfix Bolts or equivalent.

The base material is 6mm thick steel & 4mm thick R.H.S. to BS EN 10029 : 1991/BS EN 10051 : 1992 and the welding is to BSEN287 & 288.

The finish is either a zinc & colour plating operation or a hot dip galvanise and a DuPont ALESTA or equivalent Powder Paint to either RAL 9006 (White) or NCS 6502-R (Dark Grey) or nearest commercial equivalent. This complies with London Undergrounds No-Smoke, Zero Halogen fire test policy.

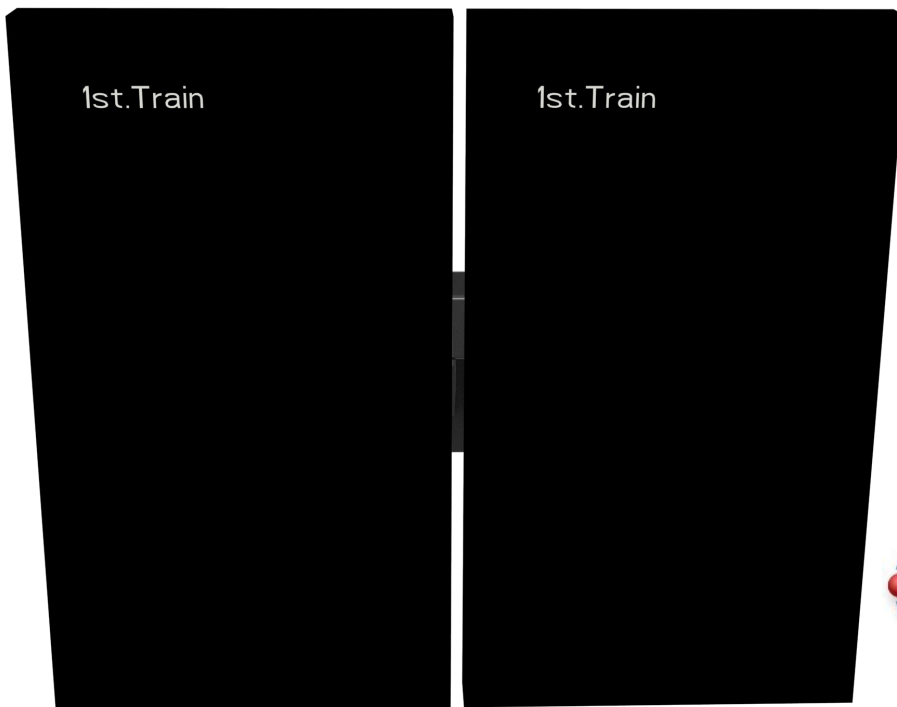
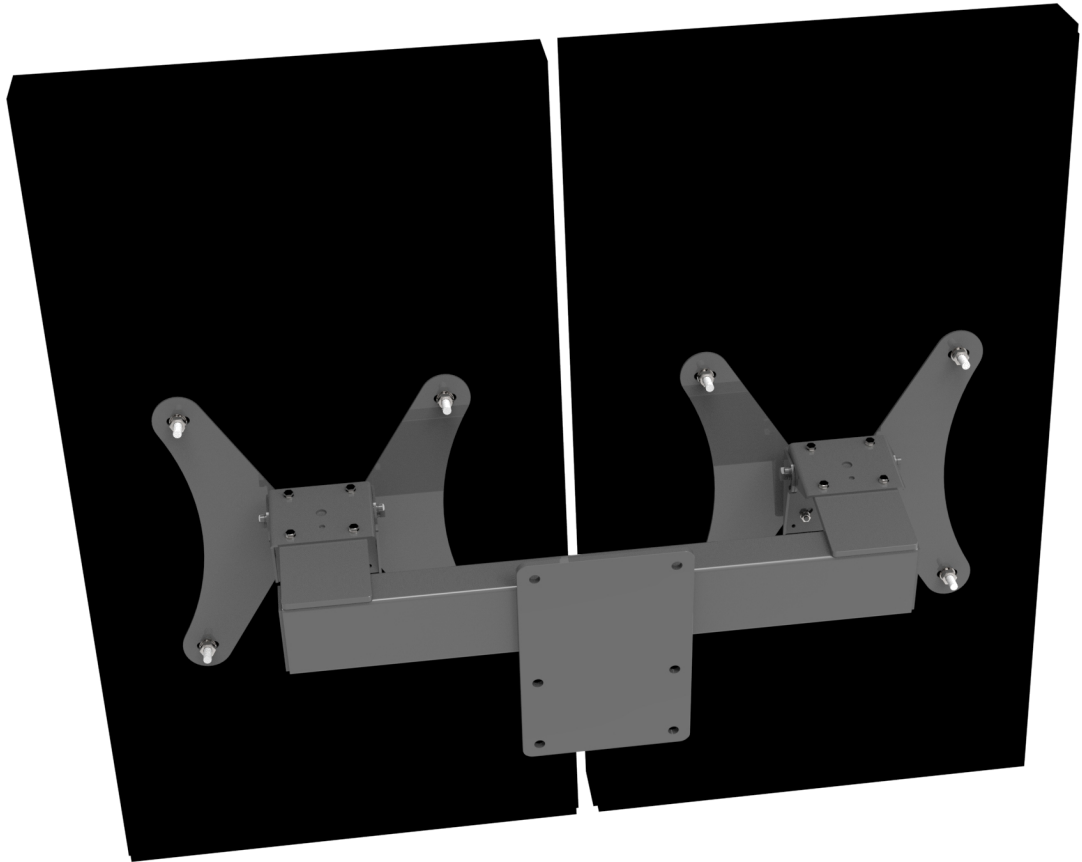
To achieve the assembly as shown above you will need the THID Double Wall Mounted Bracket 131006-400, 2 off the THID/PAM Adaptor Bracket 281105-200 and 2 off the THID Adaptor Bracket



LUND BROS. & Co. Ltd.
BROOKSIDE AVENUE • RUSTINGTON
WEST SUSSEX • BN16 3LF
TEL. 01903 784242 • FAX. 01903 787126
EMAIL sales@lunds.co.uk
WEB. www.lunds.co.uk

**DATA SHEET FOR
LUNDS STANDARD DOUBLE THID WALL MOUNTED BRACKET (LANDSCAPE)
Part No. 131006-400**

**LUNDS STANDARD DOUBLE THID WALL MOUNTED BRACKET (PORTRAIT)
Part No. 131006-410**



THE PORTRAIT VERSION

This sheet is showing the Double THID Wall Mounted Bracket (portrait). It is designed to take 2 off Infotec TR42 or equivalent displays side by side.

Please note that these displays have 4 off M10 studs on 310 mm centres.

The intermediate brackets are the same as the Landscape version and the viewing angle is adjustable.



LUND BROS. & Co. Ltd.
BROOKSIDE AVENUE • RUSTINGTON
WEST SUSSEX • BN16 3LF
TEL. 01903 784242 • FAX. 01903 787126
EMAIL sales@lunds.co.uk
WEB. www.lunds.co.uk